

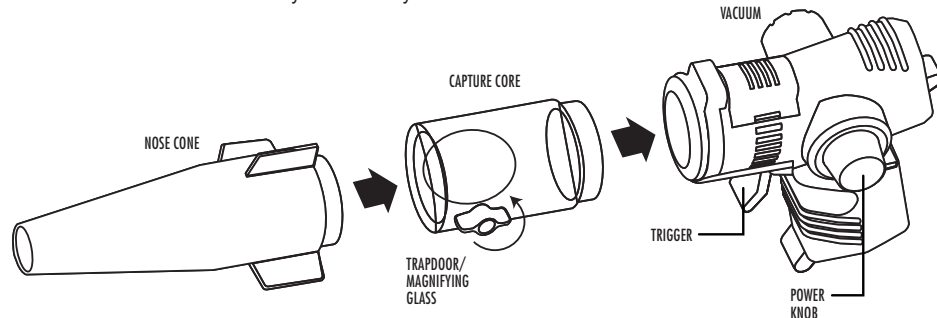


THE BUG WRANGLER'S BUG VACUUM



SNEAK UP ON BUGS AND SUCK 'EM UP!

There are THOUSANDS of crawling, flying, buzzing bugs in your backyard – catch them LIVE with your Bug Vac! Look at bugs UP-CLOSE with built-in magnifying Glass! CAPTURE CORE attaches to the Bug Habitat (sold separately) for easy transfer of your insects.



Instructions:

INSTALLING THE BUG VACUUM

1. Connect the capture core to the BUG VACUUM
2. Turn the capture core in the direction as shown above until it locks securely
3. Connect the nose cone to the capture core

USING THE BUG VACUUM

1. Make sure the capture core is securely connected to the body of the vacuum and that the nose cone is securely connected to the capture core. Find an insect that you would like to capture. Adjust the power knob on the side of the BUG VACUUM. Place the nose cone over the bug and squeeze the trigger. It is recommended that you use only enough vacuum power to gently pull the bug into the capture core.
2. Once the insect is inside the capture core, quickly close the trapdoor/magnifying glass. At this time, the capture core may be removed from the rest of the unit. The insect may be examined, released or transferred to the Bug Habitat (sold separately). Simply remove the transfer cap to the Bug Habitat, attach the capture core, and then open the trapdoor. Once the insect is safely inside the Bug Habitat, you may remove the capture core and replace the transfer cap.
3. An extra large nose cone and core is included for bigger and even more bugs!

CARING FOR THE BUG VACUUM

Keep the BUG VACUUM clean and dry. If it gets wet, wipe it dry immediately. Use and store the BUG VACUUM in normal conditions only. Handle the BUG VACUUM carefully and do not drop it. Occasionally wipe it with a damp cloth to keep it clean.

DO NOT LEAVE MAGNIFYING GLASS IN DIRECT SUNLIGHT OR NEAR WINDOW.

BATTERY CAUTION: READ AND SAVE THESE INSTRUCTIONS.

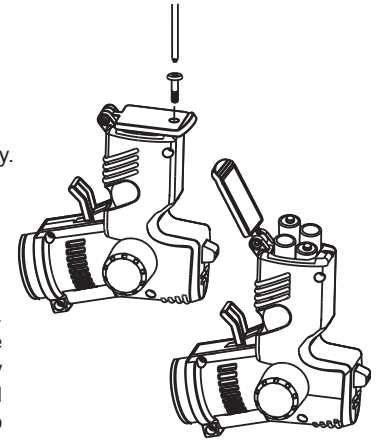
Only adults should replace batteries. Do not mix old and new batteries or different types of batteries. Do not mix alkaline, standard (carbon-zinc) or rechargeable (nickel-cadmium) batteries. Dispose of old batteries promptly and properly. Do not burn or bury batteries. Replace the batteries when the BUG VACUUM stops operating properly. Batteries can leak chemicals and harm electronic parts, so remove them if you do not plan to use your BUG VACUUM for several weeks.

BATTERY CAUTION: READ AND SAVE THESE INSTRUCTIONS.

- Use only fresh batteries of the required size and recommended type.
- Non-rechargeable batteries are not to be recharged.
- Be sure the batteries are inserted with the correct polarity.
- Exhausted batteries should be removed from the BUG VACUUM.
- The supply terminals are not to be short-circuited.

INSTALLING/CHANGING THE BATTERIES:


The BUG VACUUM requires 4 x 'AA' batteries (included). Using a phillips-head screwdriver, loosen the screw on the battery compartment and lift the cover. Remove the battery cover from the bottom of the BUG VACUUM carefully. Install 4 x 'AA' batteries into the compartment, being careful to match the polarity as indicated (+ and -). Replace the cover over the compartment and tighten the screw.



COMPLIANCE WITH FCC REGULATIONS:

This device complies with Part 15 of the FCC Rules. Operation is subject to the following two conditions:

- (1) this device may not cause harmful interference,
- (2) this device must accept any interference received, including interference that may cause undesired operation

 **CAUTION:** Changes or modifications not expressly approved by the party responsible for compliance could void the user's authority to operate the equipment.